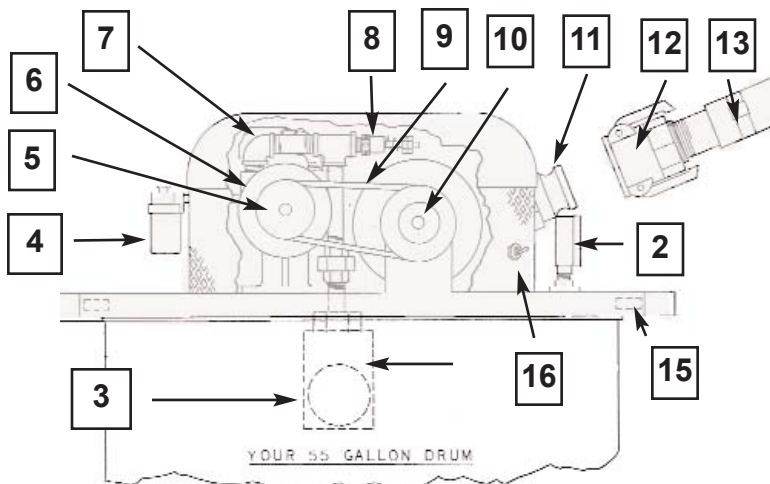
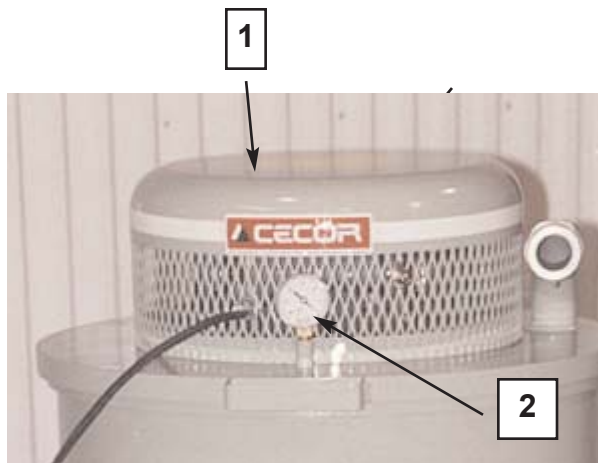


## SE03-DT - Replacement Parts



SE03-DT ELECTRIC DRUM-TOP SUMP CLEANER

1	<i>Not pictured</i>	A-210-675	Cover Assembly
2		SP-194A	Vacuum Gage, 2"
3		A-210-402	Float Control Assembly, 3/4"
4		SP-214	Oiler, Wick Type
5		SP-207	Pump Pulley
6		SP-209	Fan Impeller
7		SP-211	Muffler
8		SP-182	Vacuum Relief Valve, 3/8"
9		SP-213	V-Belt, 20"



## SE03-DT - Replacement Parts

10		SP-208	Motor Pulley
11		SP-405	Disconnect Adapter, 1-1/2" Female Threads, A
12		SP-404	Disconnect Coupler, 1-1/2" Female Threads, D
13		A-220-144	Sump Cleaner Hose Assembly, Clear, 1-1/2" x 10' long
14		A-220-142	Optional Sump Cleaner Hose Assembly, Clear, 1-1/2" x 16' long
15		A-210-106	Drum Lid Gasket
16		SP-154	Switch
17		A-210-474	Straight Nozzle (fits 1-1/2" I.D. hose)
18		A-220-149	Flare Nozzle assembly (fits 1-1/2" I.D. Hose)
19		A-220-150	Flexible Nozzle Assembly (fits 1-1/2" I.D. Hose)
21		SP-370	Coupler Gasket, 1-1/2"
22		SP-227B	Vacuum Pump Assembly, Model 0740-V2



## SE03-DT - Accessories



**TX-55PL  
Drum Tank**

CECOR's heavy duty 55-gallon drum tank, made of heavy gauge steel, is stronger than a standard 55 gallon drum. The tank is mounted on four casters for easy rolling and maneuverability. Fork pockets built into the base provide easy handling by fork truck. The tank features an 8" x 10" cleanout door for removing settled solids. Valve in door permits fluid to drain out, leaving the solids.

**Drum Dolly**



The drum dolly puts wheels under your own 55 gallon drum. Heavy frame construction with two rigid and two swivel casters with 4" diameter phenolic roller-bearing wheels. Simple T-grip handle provides maneuverability and pulling ease.

