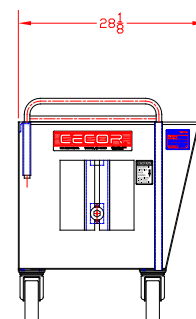
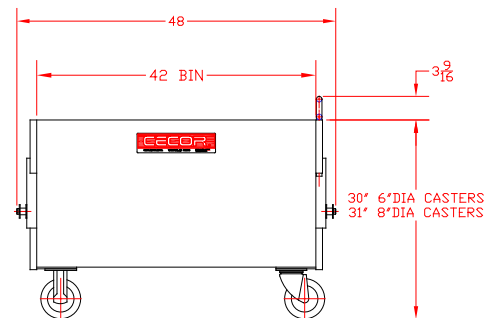


At Home in Tough Environments

- Heavy-duty steel construction with fully welded seams that don't leak, melt, split, bulge or burn.
- Maneuvers easily and rolls smoothly, even when fully loaded.
- Smart design maximizes cube capacity while minimizing footprint thereby preserving valuable floor space.
- Pair with CECOR Dumping Frame (sold separately) for elevated, rotational dumping. Dump heavy loads easily.
- Proudly designed and manufactured in the U.S.A.



Specification:	244 Series
Capacity:	13.4 cubic feet
Load Rating:	1,500 lbs.
Bin Dimensions:	42" long x 27" wide x 22" deep
Lip Height:	30"
Dumping Methods:	DB = rotational dumping* RB = hydraulic dumping** WB = both rotational & hydraulic FB = fork pocket dumping***
Dumping Frame:	DF-1044
Color:	Black standard, gray optional
Wheels:	6-inch phenolic****
Add'l Options:	Drain plug Hinged drain cover Four swivel casters <i>Inquire about other special options.</i>
Shipping Weight:	220 lbs.



*For use with CECOR Dumping Frame.
 **For use with hydraulic dumping system.
 ***For use with rotatable fork system. May require modifications.
 ****Other sizes and styles available.

CECOR DUMPING FRAME



CECOR's heavy-duty dumping carts are fitted standard with trunnion pins for use with CECOR's patented dumping frame (sold separately), which allows for elevated, rotational dumping from a forklift or overhead hoist. Multi-position dump settings control container dumping speed for easy, safe and thorough emptying. Spring-loaded trigger operates directly or with rope-pull remote for dumping. Release of trigger overturns cart, which rotates 360° (with sufficient load weight). The empty cart returns to an upright position for return to the ground.

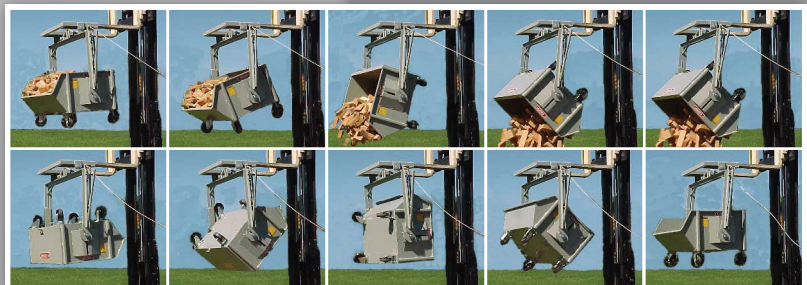
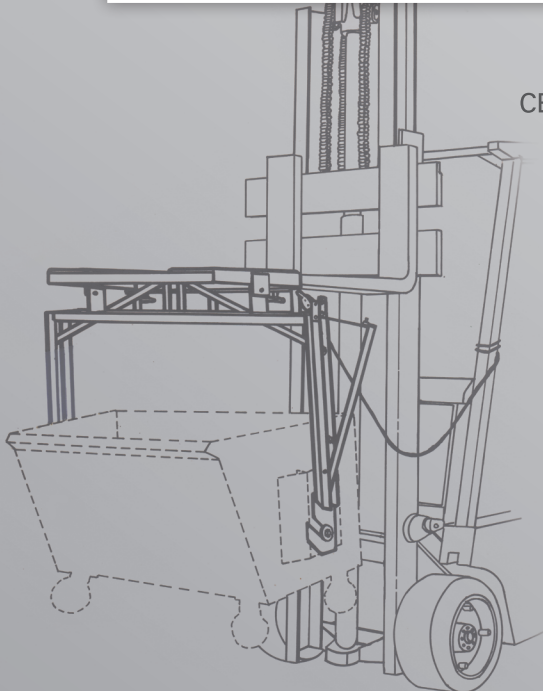
Example of CECOR cart & dumping frame



DB-256-8P w/ CECOR Dumping Frame (DF-1056)

CECOR carts that use DF-1044:

- DB-044
- DB-244
- DB-L44
- DB-X44



COMPARE-AT-A-GLANCE

Check out other tall profile carts from CECOR – same quality and features, just more sizes and capacities to meet different load needs.



342 Series

4.9 cu. ft. 25 3/4" lip height DF-1042



243 Series

9.4 cu. ft. 29" lip height DF-1043



244 Series

13.4 cu. ft. 30" lip height DF-1044



256 Series*

27.0 cu. ft. 40" lip height DF-1056

**Same size & capacity available in low-density for lighter loads. See DA-254.*