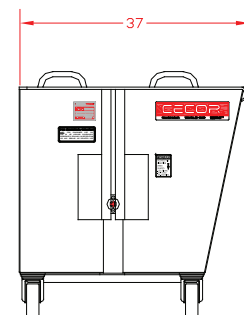
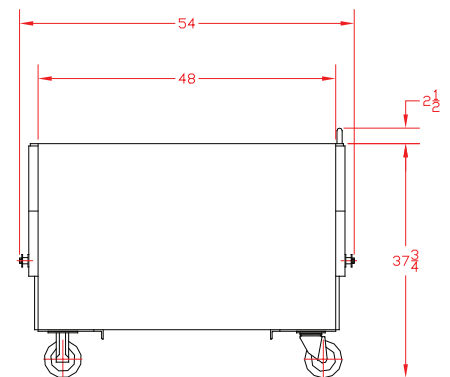


#### Lower-Density Cart Option

- Lower-density for one person to more easily collect and haul bulky, lighter loads.
- Same quality CECOR construction with fully welded seams that don't leak, melt, split, bulge or burn.
- Maneuvers easily and rolls smoothly, even when fully loaded.
- Smart design maximizes cube capacity while minimizing footprint thereby preserving valuable floor space.
- Pair with CECOR Dumping Frame (sold separately) for elevated, rotational dumping.
- Proudly designed and manufactured in the U.S.A.



<b>Specification:</b>	254 Series
<b>Capacity:</b>	27 cubic feet
<b>Load Rating:</b>	800 lbs.
<b>Bin Dimensions:</b>	48" long x 36" wide x 30" deep
<b>Lip Height:</b>	37 3/4"
<b>Dumping Methods:</b>	DB = rotational dumping* RB = hydraulic dumping** WB = both rotational & hydraulic FB = fork pocket dumping***
<b>Dumping Frame:</b>	DF-1054
<b>Color:</b>	Black standard, gray optional
<b>Wheels:</b>	6-inch poly****
<b>Add'l Options:</b>	Drain plug Hinged drain cover Four swivel casters <i>Inquire about other special options.</i>
<b>Shipping Weight:</b>	302 lbs.

\*For use with CECOR Dumping Frame.

\*\*For use with hydraulic dumping system.

\*\*\*For use with rotatable fork system. May require modifications.

\*\*\*\*Other sizes and styles available.