

CECOR DUMPING FRAME

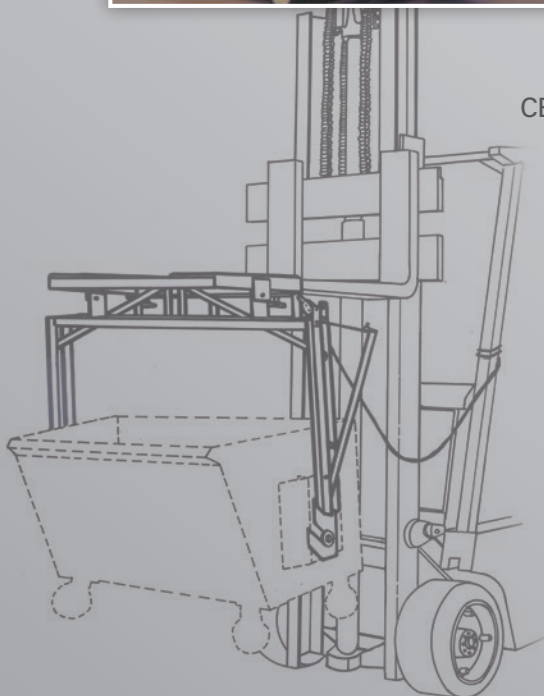


CECOR's heavy-duty dumping carts are fitted standard with trunnion pins for use with CECOR's patented dumping frame (sold separately), which allows for elevated, rotational dumping from a forklift or overhead hoist. Multi-position dump settings control container dumping speed for easy, safe and thorough emptying. Spring-loaded trigger operates directly or with rope-pull remote for dumping. Release of trigger overturns cart, which rotates 360° (with sufficient load weight). The empty cart returns to an upright position for return to the ground.

Example of CECOR cart & dumping frame



DB-256-8P w/CECOR Dumping Frame (DF-1056)



CECOR carts that use DF-1043:

- DB-043
- DB-243
- DB-L43



COMPARE-AT-A-GLANCE

Check out other extra-low profile carts from CECOR – same quality and features, just more sizes and capacities to meet different load needs.



L43 Series

4.9 cu. ft. 12" lip height DF-1043



L44 Series

6.9 cu. ft. 12" lip height DF-1044

HOW LOW CAN YOU GO?

CECOR's Extra-Low Profile carts – lowest in the industry – stand less than 3" off the floor! They fit easily under low-clearance equipment.

